

BULBRITE® LED

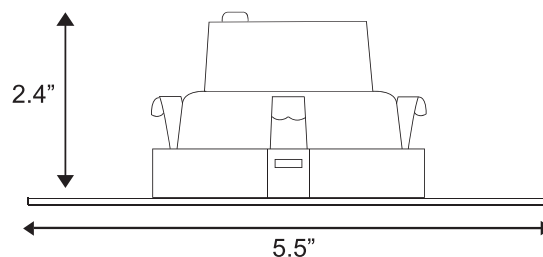
4" LED RETROFIT KIT

RECESSED DOWNLIGHT W/ E26 QUICK CONNECT ADAPTER
65W HALOGEN REPLACEMENT

Item #: 773115 & 773116 & 773117 & 773170 & 773171
773108 & 773109 & 773110

LED9REC/4/927/WHRD/D&LED9REC/4/930/WHRD/D&LED9REC/4/940/WHRD/D&LED9REC/4/927/WHRD-G/D
&LED9REC/4/930/WHRD-G/D & LED12REC/4HL/827/WHRD/D & LED12REC/4HL/830/WHRD/D & LED12REC/4HL/840/WHRD/D

Before installation, confirm all parts are in good condition. If any parts are damaged, do not attempt to install. Contact an American Lighting Association (ALA) Certified Relationship Specialist at Bulbrite for help with installation or questions about your kit at 800-528-5555 or info@bulbrite.com.



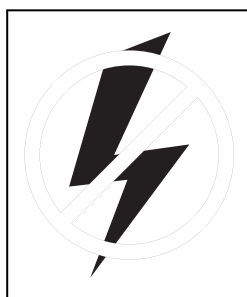
These instructions are provided for your safety. It is important that the instructions are read carefully and completely before assembling. Please save these instructions, as you may need them at a later date.

WARNING:

RISK OF FIRE OR ELECTRIC SHOCK. LED RETROFIT KIT INSTALLATION REQUIRES KNOWLEDGE OF LUMINAIRE ELECTRICAL SYSTEMS. IF NOT QUALIFIED, DO NOT ATTEMPT INSTALLATION. CONTACT A QUALIFIED ELECTRICIAN. BE SURE THE ELECTRICITY TO THE FIXTURE YOU ARE WORKING ON IS SHUT OFF; EITHER THE FUSE IS REMOVED OR THE CIRCUIT BREAKER IS TURNED OFF. TO PREVENT WIRING DAMAGE OR ABRASION, DO NOT EXPOSE WIRING TO EDGES OF SHEET METAL OR OTHER SHARP OBJECTS. DO NOT MAKE OR ALTER ANY OPEN HOLES IN AN ENCLOSURE OF WIRING OF ELECTRICAL COMPONENTS DURING KIT INSTALLATION. THIS LED RETROFIT MUST BE INSTALLED IN ACCORDANCE WITH THE NATIONAL ELECTRICAL CODE (NEC) AND RELEVANT LOCAL CODE. INSTALLERS SHOULD NOT DISCONNECT EXISTING WIRES FROM LAMPHOLDER TERMINALS TO MAKE NEW CONNECTIONS AT LAMPHOLDER TERMINALS. INSTEAD INSTALLERS SHOULD CUT EXISTING LAMPHOLDER LEADS AWAY FROM THE LAMPHOLDER AND MAKE NEW ELECTRICAL CONNECTIONS TO LAMPHOLDER LEAD WIRES BY EMPLOYING APPLICABLE CONNECTORS. INSTALL THIS KIT ONLY IN LUMINAIRE THAT HAVE THE CONSTRUCTION FEATURES AND DIMENSIONS SHOWN IN THE PHOTOGRAPHS AND/OR DRAWINGS LOCATED IN THESE INSTRUCTIONS AND WHERE THE INPUT RATING OF THE RETROFIT KIT DOES NOT EXCEED THE INPUT RATING OF THE LUMINAIRE. SUITABLE FOR WET LOCATIONS. THIS DEVICE IS NOT INTENDED FOR USE WITH EMERGENCY EXITS

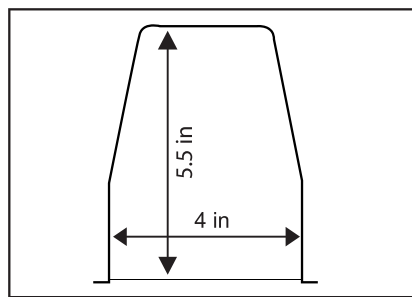
INSTALLATION INSTRUCTIONS:

STEP 1



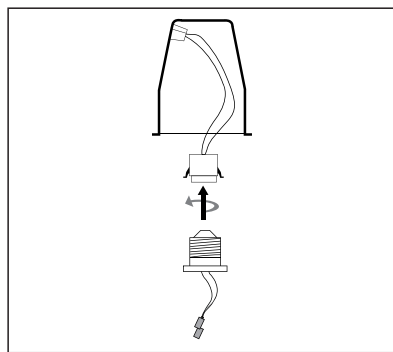
Power off all electricity to the luminaire.

STEP 2



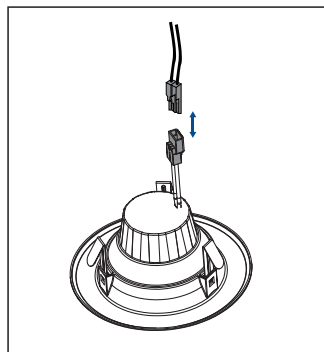
This 4" retrofit kit must be installed in a can with dimensions described within above diagram.

STEP 3



Screw in the E26 quick connect adapter into the recessed can's socket.

STEP 4



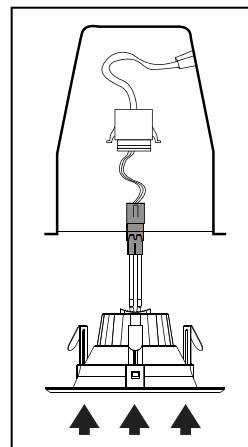
Plug the female connector of the RETROFIT KIT onto the male connector of the QUICK CONNECT ADAPTER.

GENERAL INSTRUCTIONS:

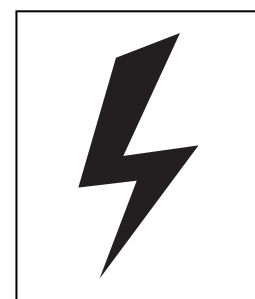
- This fixture operates on line voltage (standard household power) of 120 Volts, 60 Hertz.
- Minimum compatible recessed can dimensions:
 - 5.5" can depth, 4" can width (see diagram in Step 2).
- Can be used in wet locations.
- Suitable for Type IC or NON-IC installations.
- Operation temperature ranging between -20°C to +40°C (-4°F to +104°F). Lamp life may be affected outside these temperatures.

STEP 5

Push the retrofit kit into the recessed can until the 3 clips fall securely into place. Ensure all wires are guided into the can before pushing up.



STEP 6



Turn on all electricity to the luminaire and installation is complete.